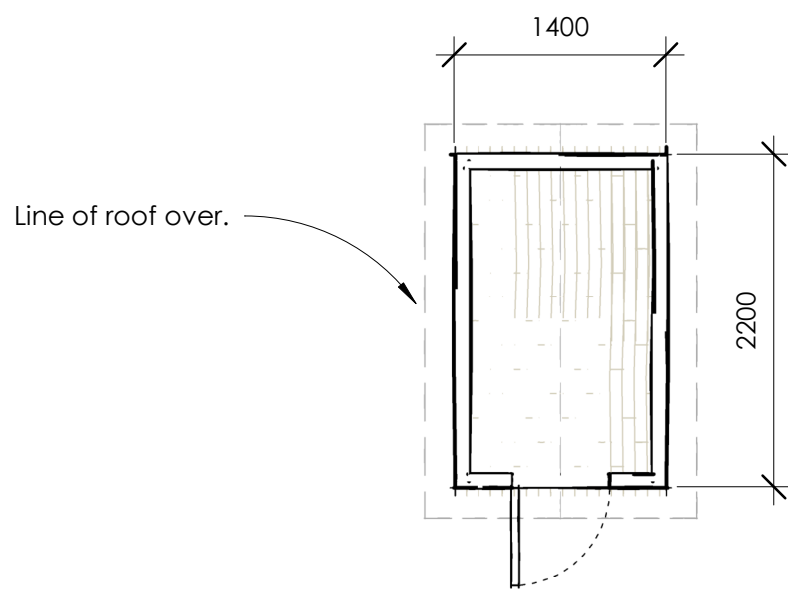
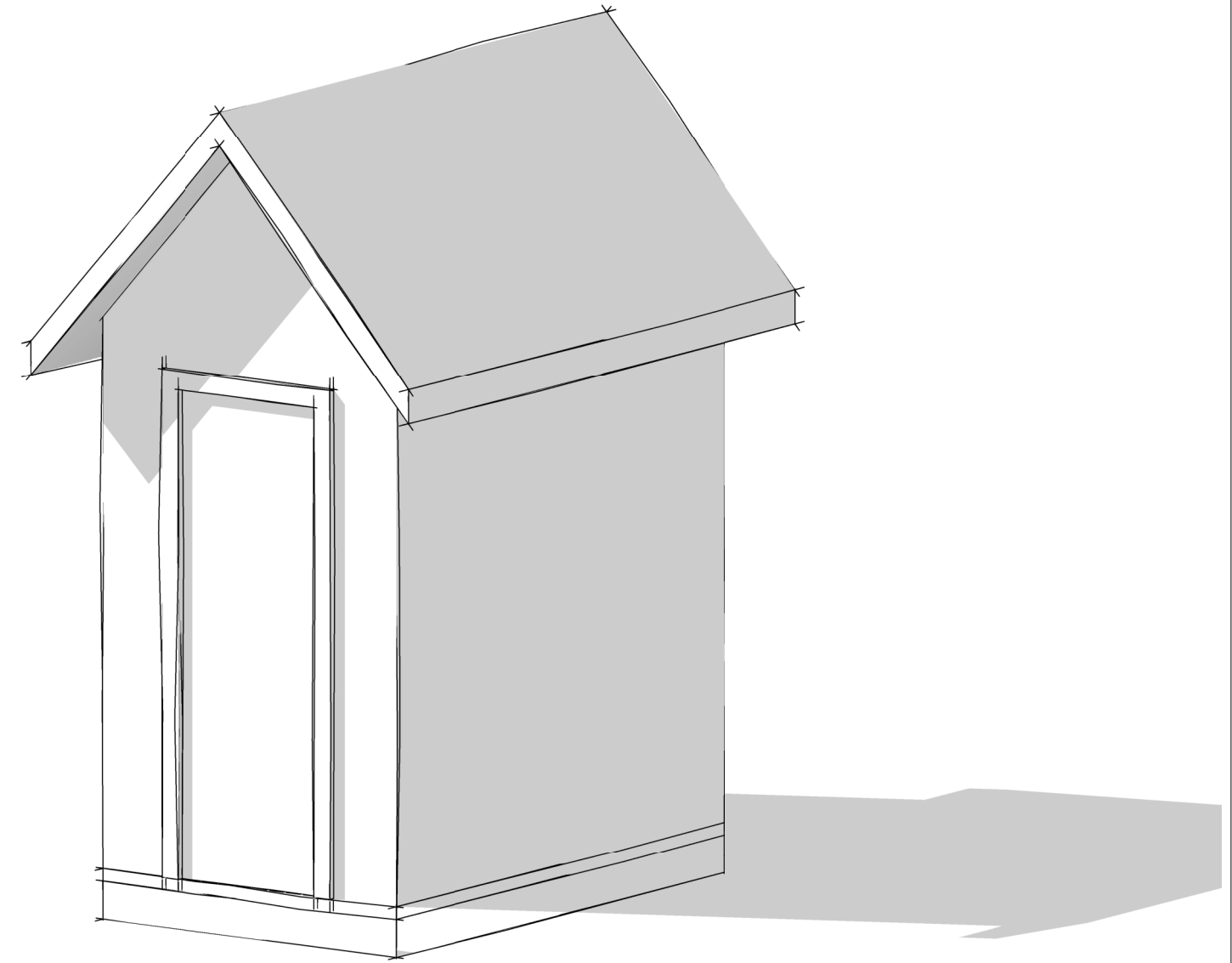
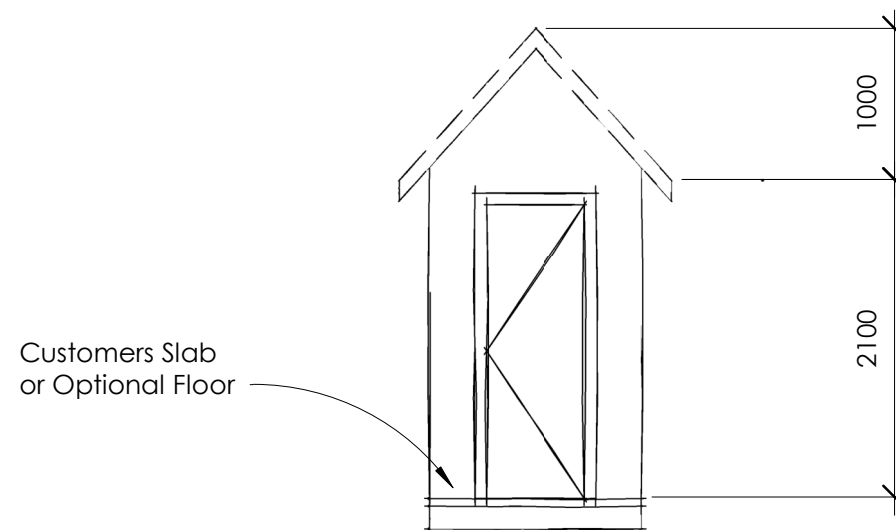




ES LOO  
SHOWER  
COMBO  
GABLE ROOF



1 Floor Plan  
1 : 50



2 Front Elevation  
1 : 50

Author:	ECO SHACK TASMANIA
Designed by:	MB
Drawn by:	RT

Building Name:	ES Loo Shower Combo
Client Name:	Client
Project Name:	Sample
Project Address:	Tasmania
Project Status:	Preliminary Issue

Sheet Number:	A-01
Sheet Name:	A-01
Scale:	1 : 50 @A3

Notes:	
--------	--